

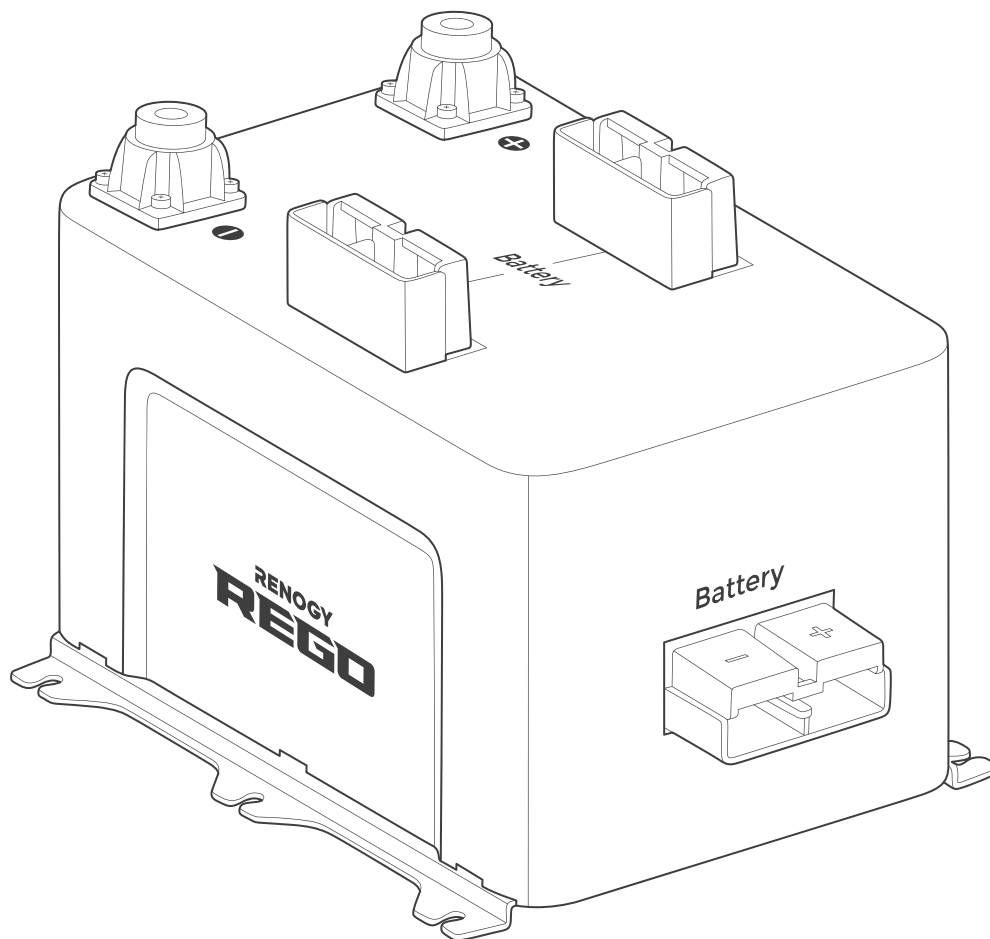


# REGO

## 3 Ports 400A Battery Combiner Box

### REC400RBCB-3P

VERSION A1



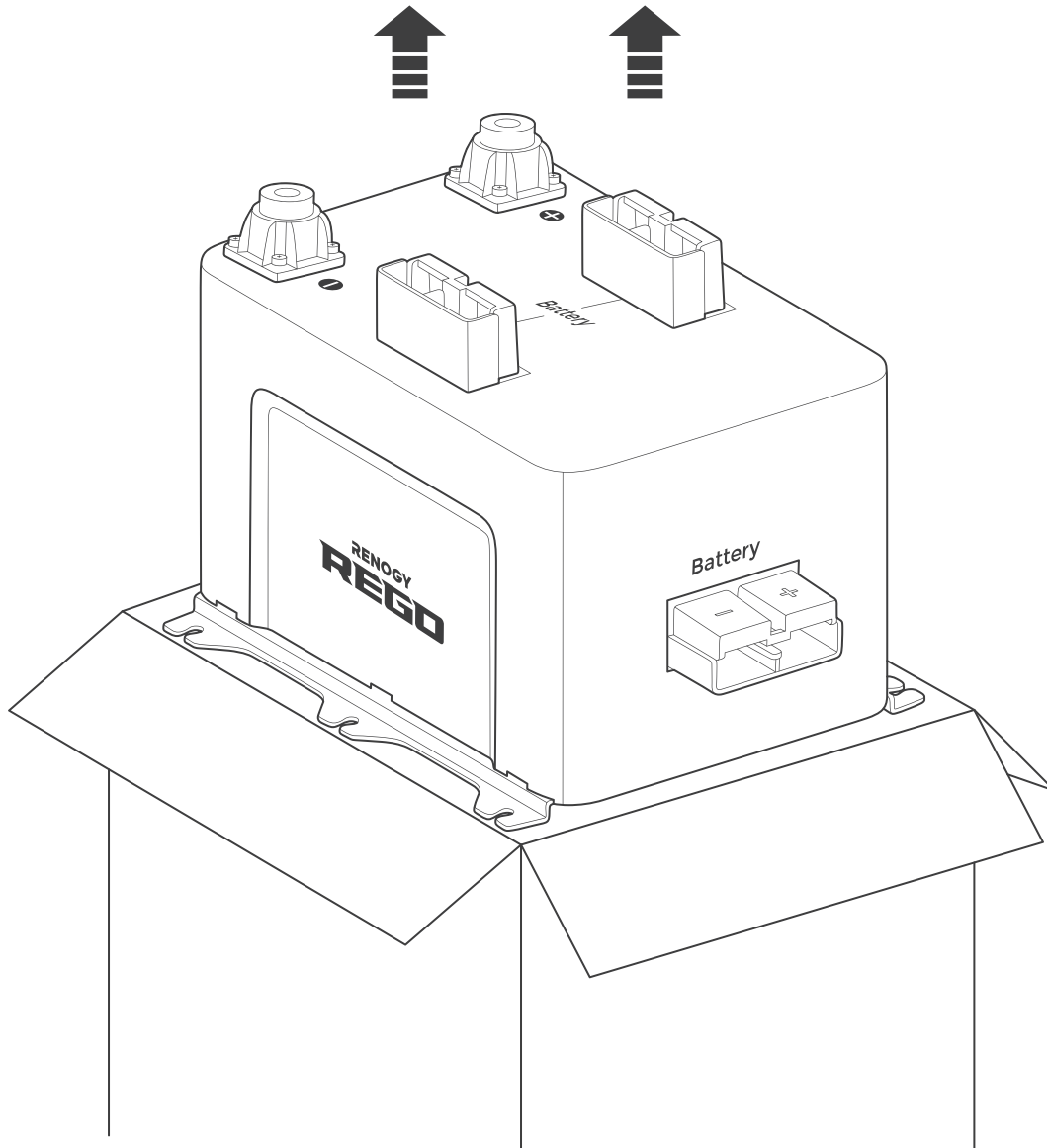
## QUICK GUIDE

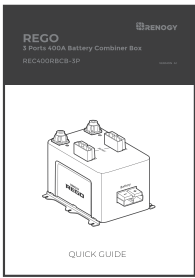
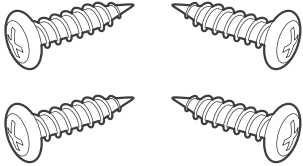
# Contents

Package Contents .....	01
Wiring Diagram.....	02
Product Overview .....	03
Installation .....	04
Maintenance.....	08



# Package Contents

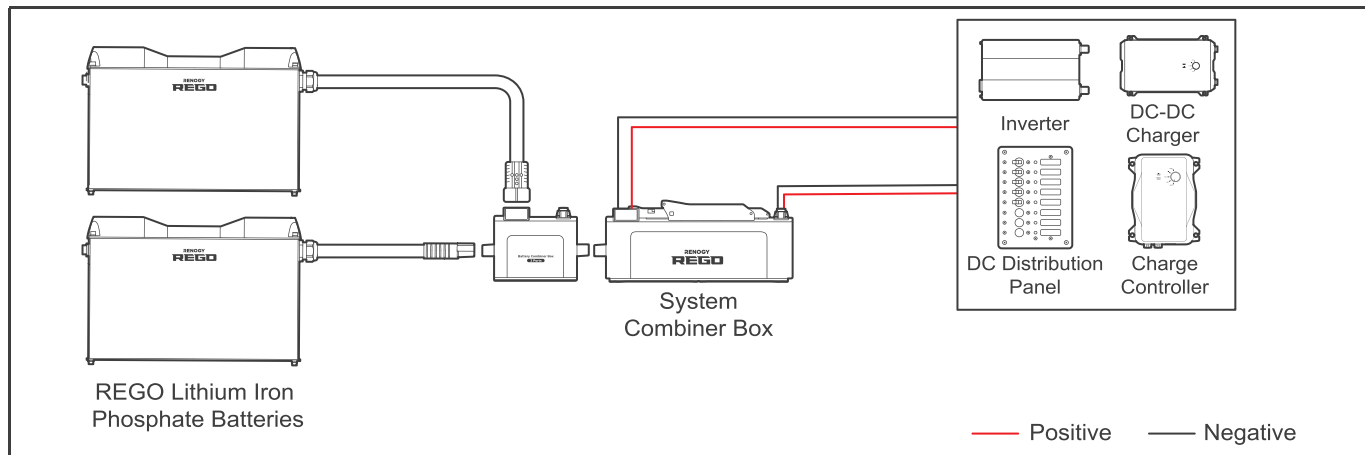


Quick Guide × 1	Mounting Screws × 4
	<p data-bbox="1107 1683 1358 1719">ST6.3x1.8x13mm</p> 

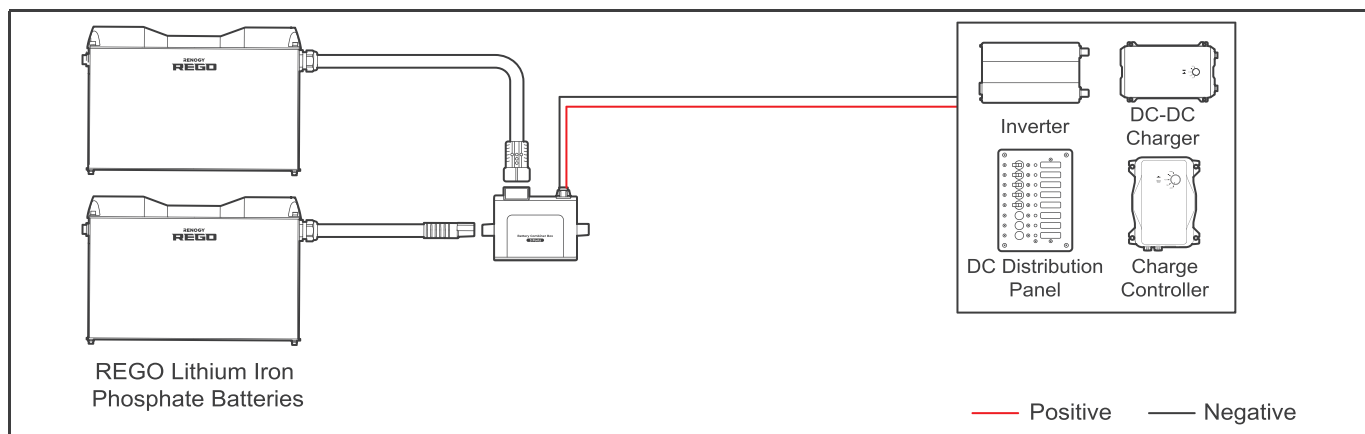


# Wiring Diagram

## With System Combiner Box



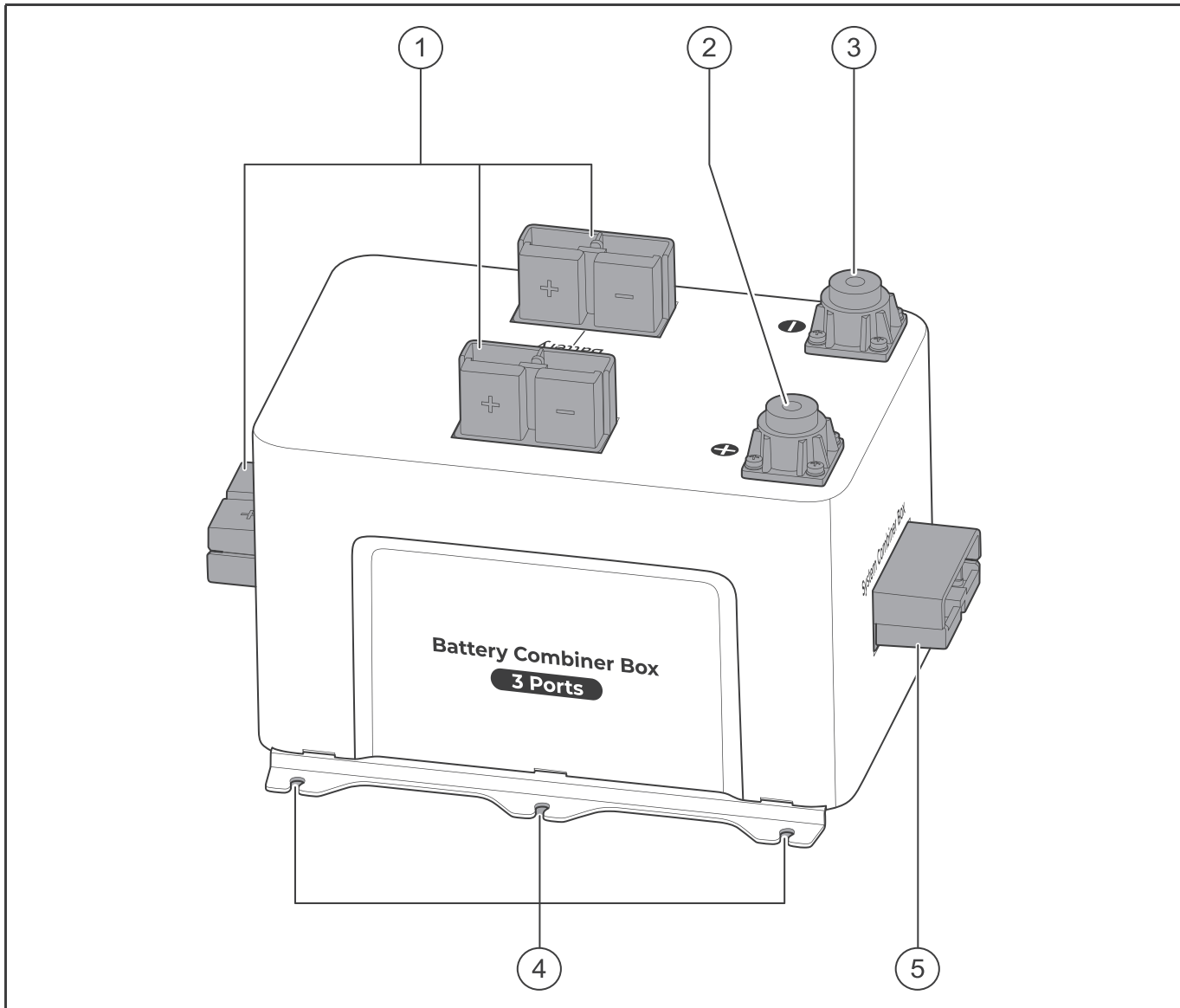
## Without System Combiner Box



- This Quick Guide contains important installation and maintenance instructions for REGO 3 Ports 400A Battery Combiner Box. Please read the Quick Guide carefully before using.
- Illustrations in the Quick Guide are for reference only.
- For more detailed instructions, please refer to the user manual at [renogy.com](http://renogy.com).
- For additional support, please contact our customer service through [renogy.com/contact-us/](http://renogy.com/contact-us/).



# Product Overview



No.	Part	No.	Part
1	Anderson 350 Connector (Battery)	4	Mounting Holes
2	Positive Insert Terminal (Including Terminal Bolt)	5	Anderson 350 Connector (System Combiner Box)
3	Negative Insert Terminal (Including Terminal Bolt)		

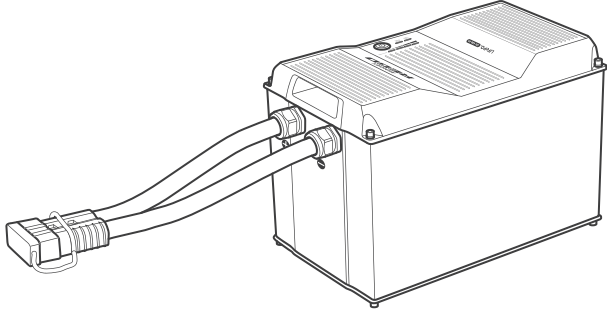
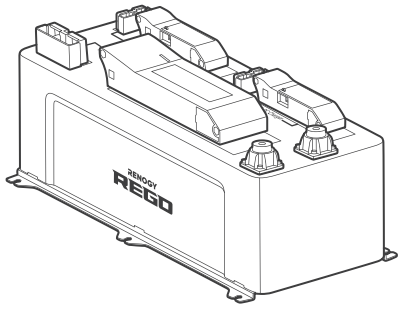

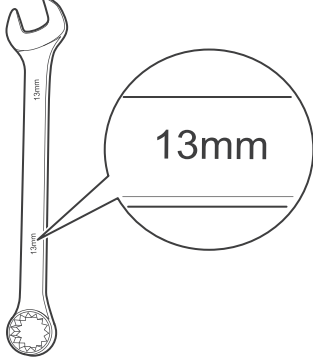


- Please inspect the battery combiner box for any visible damage including cracks, dents, deformation, and other visible abnormalities before installation.
- DO NOT puncture, drop, crush, burn, penetrate, shake, or strike the battery combiner box.
- DO NOT open, dismantle, or modify the battery combiner box.
- Please wear proper protective equipment and use insulated tools during installation.
- Please install the battery combiner box in a clean, cool, and dry place. Keep water, oil, and dirt away from the battery combiner box.



# Installation

## Recommended Components/Tools

Renogy REGO Lithium Battery	REGO 4 Ports 400A System Combiner Box
	
Phillips Screwdriver (#2)	Wrench (13mm)
	

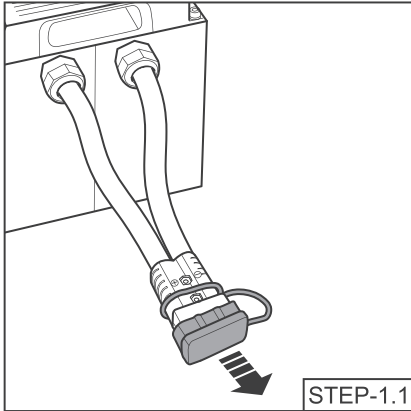


- Please read the user manual of REGO Lithium Iron Phosphate Battery and REGO 4 Ports 400A System Combiner Box at [renogy.com](http://renogy.com) before installation.
- Please ensure that the Anderson Connectors are fully seated and/or the ring terminals are secured to the proper specification.
- DO NOT short the insert terminals and the contacts of the Anderson Connectors. Short circuits can damage connected Batteries and devices.
- Please check the polarity before connecting the cables. Reverse polarity can damage connected Batteries and devices.
- Please size the cables appropriately to handle the expected current. Refer to the user manuals of REGO Lithium Iron Phosphate Battery and connected devices for more details.
- Please ensure that the Battery is off before installation.
- DO NOT mix battery brands, models, chemistries, nominal voltages, and rated capacities.

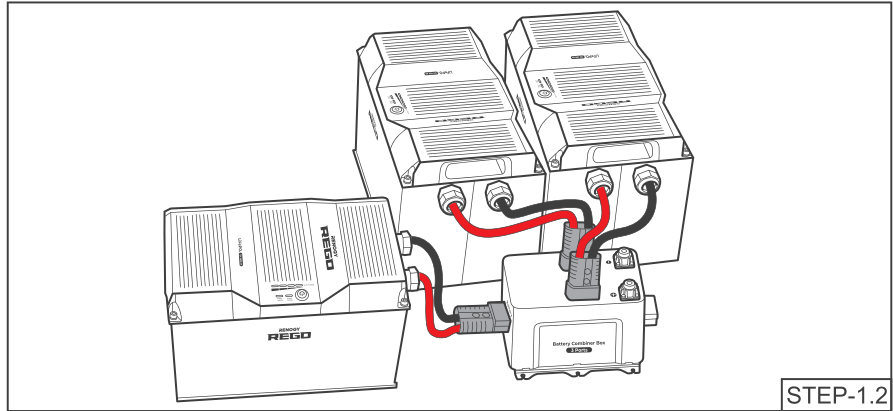


# Installation

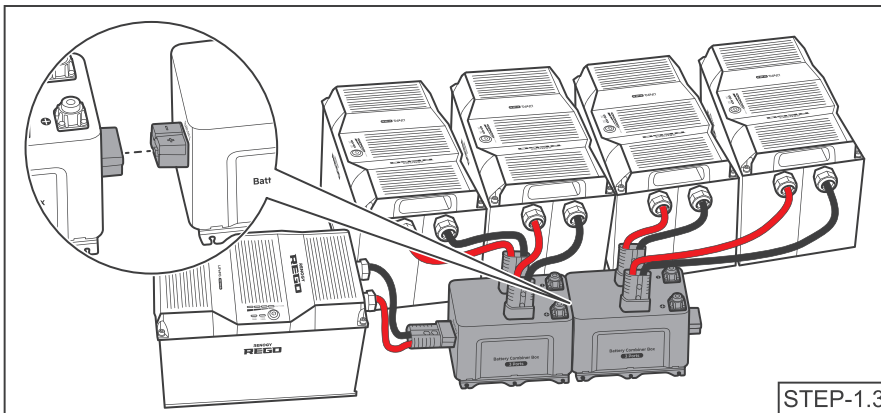
## Connecting Batteries



Remove the dust covers from the Anderson connectors of the Batteries (sold separately).

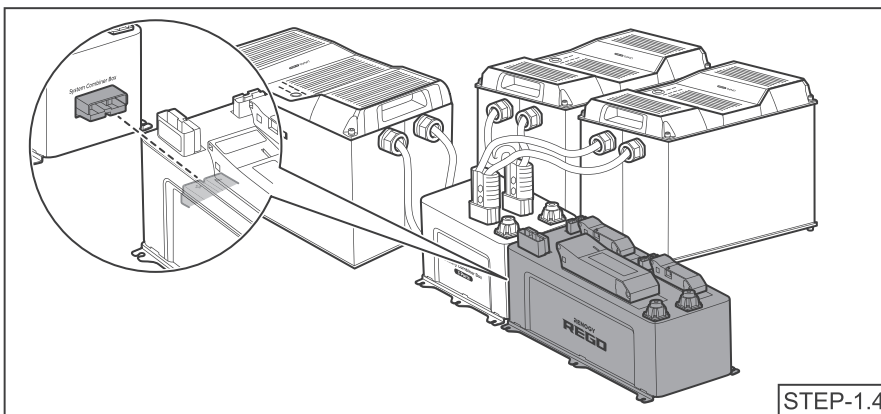


Plug the Batteries to the corresponding Anderson Connectors on the side and top of the battery combiner box for parallel connection.



If necessary, connect multiple battery combiner boxes to accept more Batteries in parallel

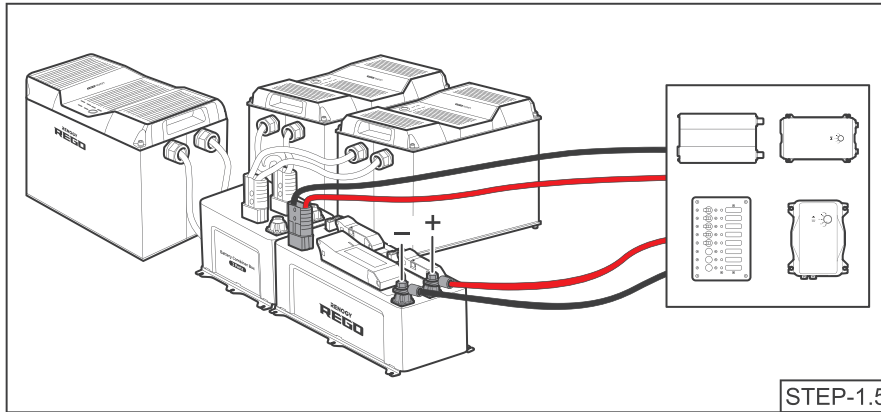
## Connecting Devices



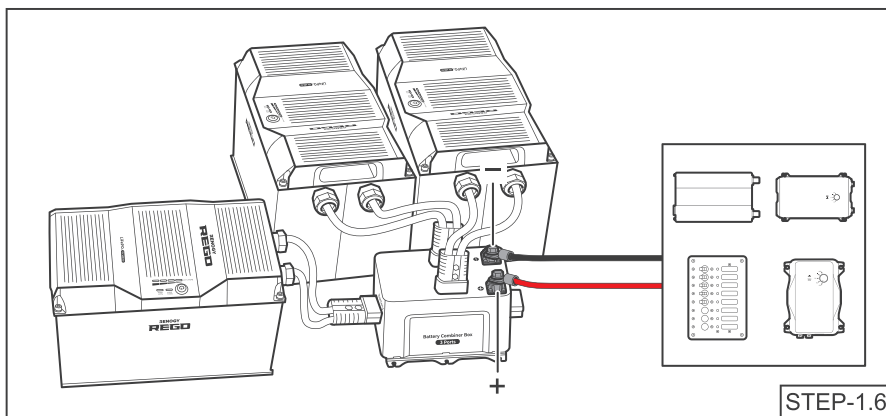
Connect the System Combiner Box (sold separately) to the corresponding Anderson Connector on the side of the battery combiner box.



# Installation



Connect the devices to the corresponding Anderson connectors or insert terminals on the top of the System Combiner Box. Refer to the user manual of REGO 4 Ports 400A System Combiner Box at [renogy.com](http://renogy.com) for more instructions.



If the System Combiner Box is not available, connect the devices directly to the insert terminals of the battery combiner box with ring terminal cables (sold separately). Screw the Terminal Bolts into the Insert Terminals with the Phillips Screwdriver to secure the ring terminals in place. Tighten the Terminal Bolts with the Wrench.



- The ring terminals and the top surface of the Insert Terminals **MUST** be in contact. Please use the appropriate number of washers to ensure that the terminal bolts have as much thread engagement as possible with the insert terminals without bottoming up.
- The washers **MUST** be placed on the top of the ring terminals. **DO NOT** place the washers between the ring terminals and the insert terminals.
- Please ensure a clearance of at least 8 inches above or on the side of the Anderson Connectors that connect to the Batteries to prevent the cables from kinking.
- If the devices are directly connected to the insert terminals of the battery combiner box, please install appropriately sized fuses or circuit breakers in the branch circuits to protect connected devices and circuit wires.
- The continuous current flowing through the battery combiner box shall not exceed 400A.



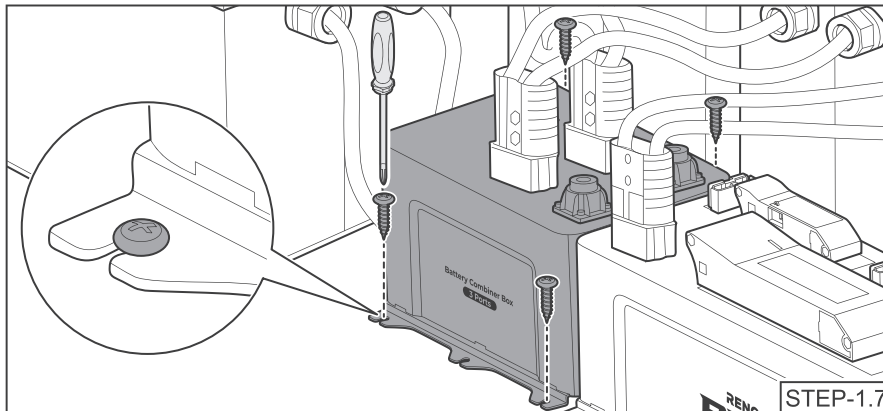


# Installation

## Mounting



- Please ensure adequate and secure mounting of the battery combiner box to prevent the cable connections from loosening due to vibration.
- It is recommended to pre-drill pilot holes on the mounting surface with a drill and a drill bit before mounting the battery combiner box.



Secure the battery combiner box on a flat mounting surface with the included Mounting Screws. Tighten the Mounting Screws with the Phillips Screwdriver.



# Maintenance

## Inspection

Please perform regular inspections following the steps below.

- Examine the external appearance of the battery combiner box. The casing, Insert Terminals, and connector contacts of the battery combiner box shall be clean, dry, and free of corrosion.
- Check the cables and connections. Replace any damaged cables and tighten any loose connections.



- In some applications, corrosion can form around the contacts internal to the Anderson Connector. The corrosion can cause loosening of spring retention force and increase of mated contact resistance, leading to premature failure of the connection. Please apply dielectric grease onto each connector contact at regular intervals. Dielectric grease can repel moisture and protect the connector contact against corrosion.

## Cleaning

Please clean the battery combiner box at regular intervals following the steps below.

- Disconnect the Batteries, devices, and/or System Combiner Box from the battery combiner box.
- Clean the casing, Insert Terminals, and connector contacts of the battery combiner box with the damp cloth or non-metallic brush. The household cleaner can be used if the battery combiner box is extremely dirty.
- Dry the battery combiner box with the clean cloth. Keep the area around the battery combiner box clean and dry.
- Ensure the battery combiner box is completely dry before reconnect it to the Batteries, devices, and System Combiner Box.



## Renogy Empowered

Renogy aims to empower people around the world through education and distribution of DIYfriendly renewable energy solutions.

We intend to be a driving force for sustainable living and energy independence.

In support of this effort, our range of solar products makes it possible for you to minimize your carbon footprint by reducing the need for grid power.



## Live Sustainably with Renogy

Did you know? In a given month, a 1KW solar energy system will...



Save 170 pounds of coal from being burned



Save 300 pounds of CO<sub>2</sub> from being released into the atmosphere



Save 105 gallons of water from being consumed



## Renogy Power **PLUS**

Renogy Power Plus allows you to stay in the loop with upcoming solar energy innovations, share your experiences with your solar energy journey, and connect with like-minded people who are changing the world in the Renogy Power Plus community.

Also, follow us on Social Media @RenogySolar.

Visit [renogy.com](https://renogy.com) to find relevant documentation or get more support via "[Contact Us](#)".  
Renogy reserves the right to change the contents of this manual without notice.

Manufacturer: RENOGY New Energy Co.,Ltd  
Address: No.66, East Ningbo Road Room 624-625  
Taicang German Overseas Students Pioneer Park  
JiangSu 215000 CN



eVatmaster Consulting GmbH  
Battinastr.30  
60325 Frankfurt am Main, Germany  
contact@evatmaster.com

Manufacturer: RENOGY New Energy Co.,Ltd  
Address: No.66, East Ningbo Road Room 624-625  
Taicang German Overseas Students Pioneer Park  
JiangSu 215000 CN



EVATOST CONSULTING LTD  
Suite 11, First Floor, Moy Road Business  
Centre, Taffs Well, Cardiff, Wales, CF15 7QR  
contact@evatmaster.com

Your voice matters! Scan the QR code  
to submit your feedback on the product.



Join the Renogy Power Plus Communityby  
downloading the DC Home App.  
Find your e-warranty here, and more.

