

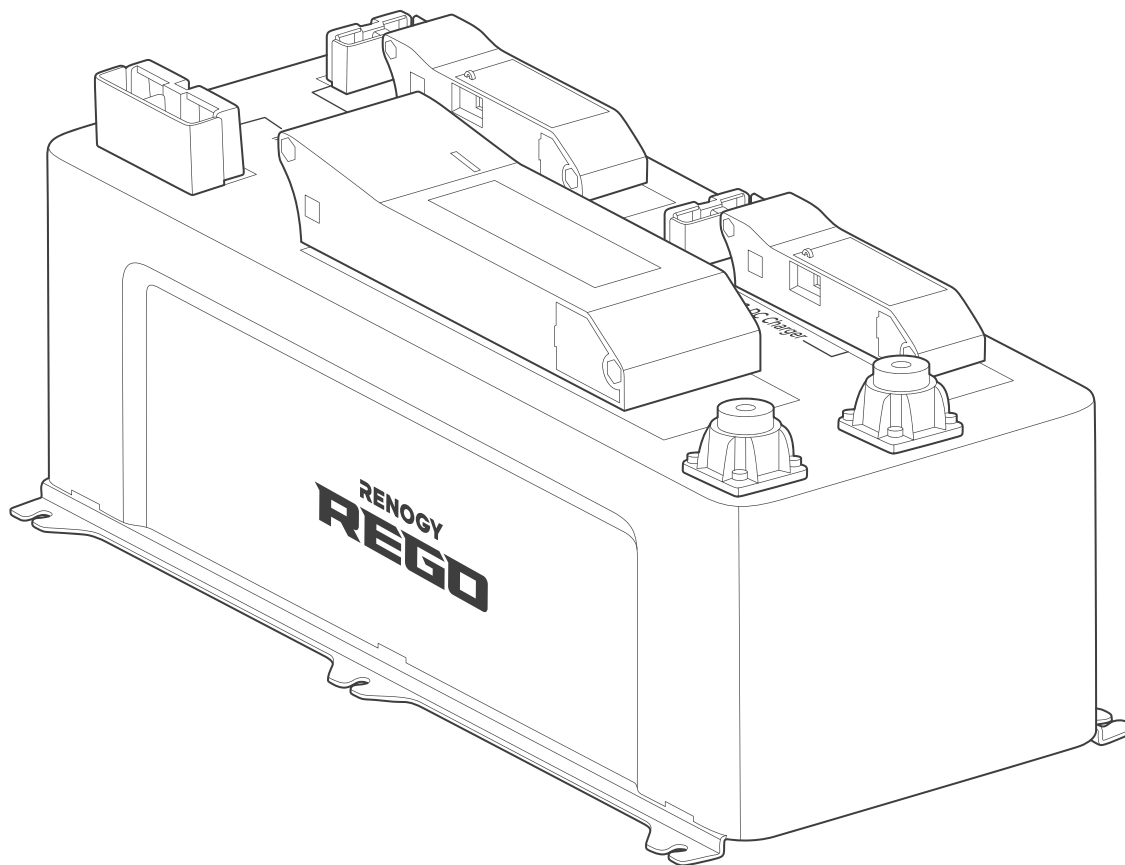


REGO

4 Ports 400A System Combiner Box

REC400RSCB-4P

VERSION A1



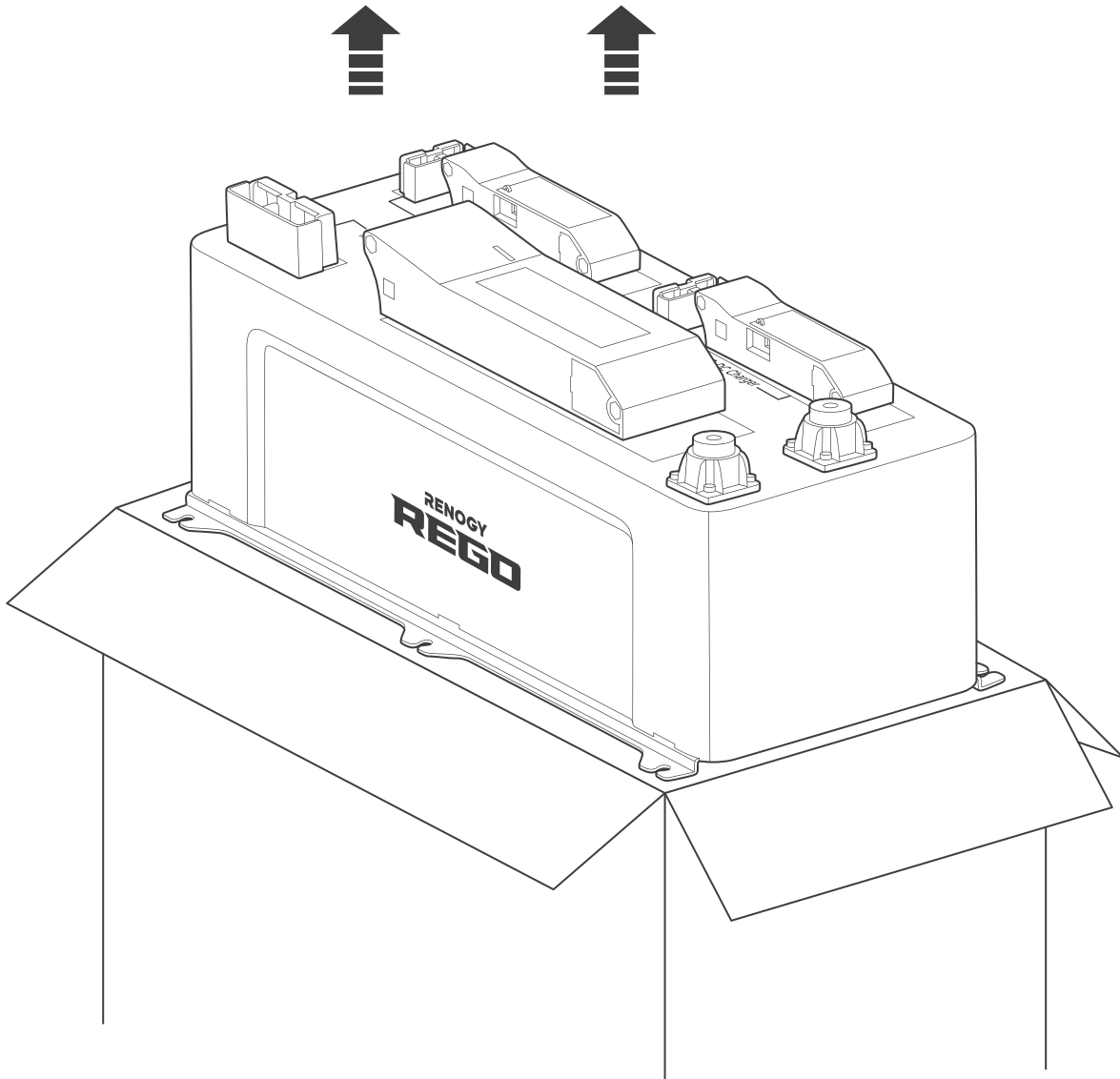
QUICK GUIDE

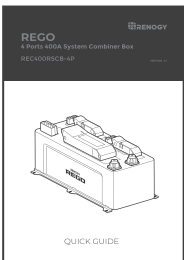
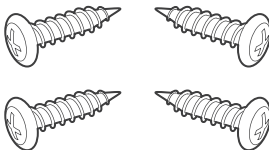
Contents

Package Contents	01
Wiring Diagram.....	02
Product Overview	03
Installation	04
Maintenance.....	10



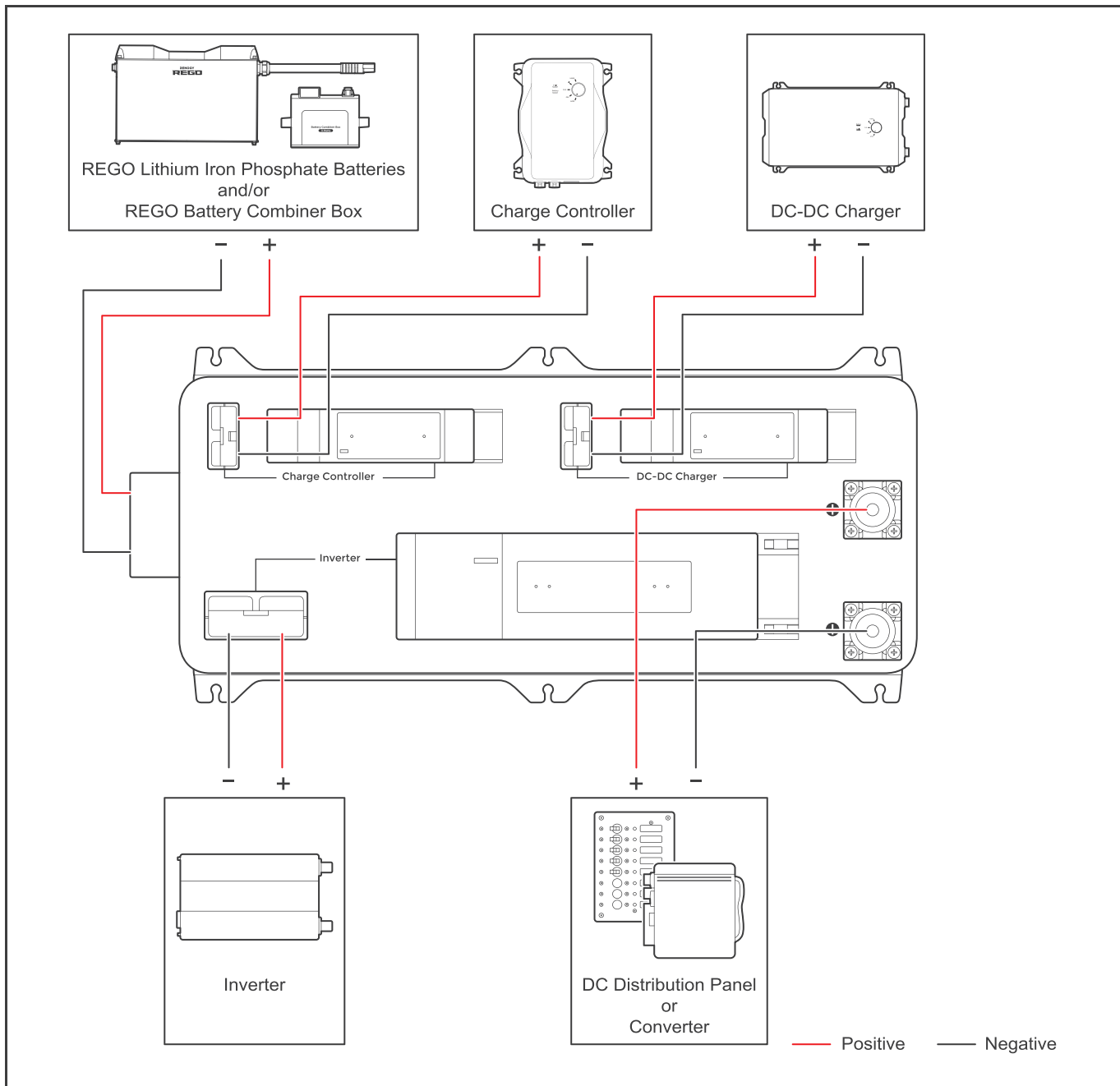
Package Contents



Quick Guide × 1	Mounting Screws × 4
	<p data-bbox="1100 1651 1369 1685">ST 6.3 x 1.8 x 13 mm</p> 



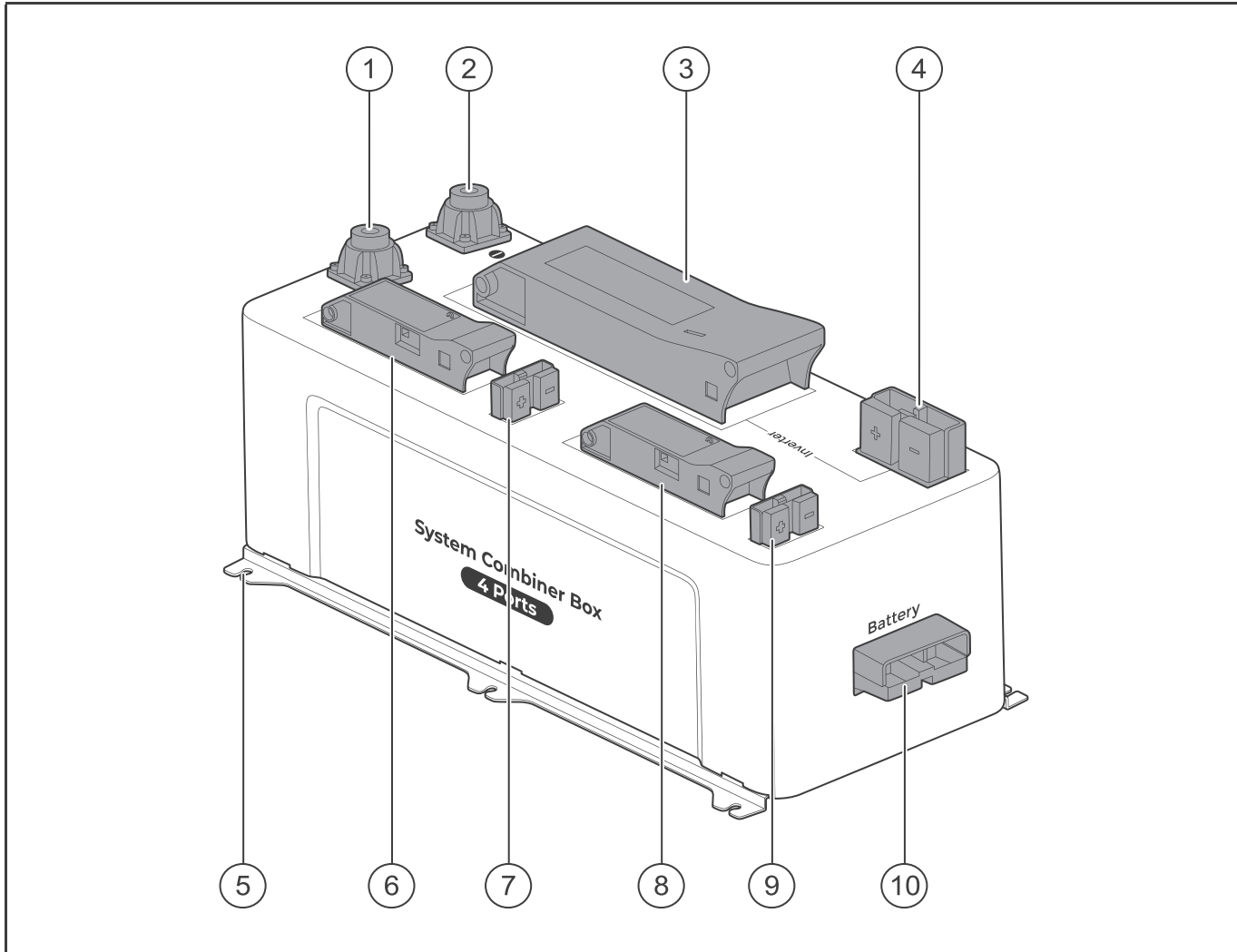
Wiring Diagram



- This Quick Guide contains important installation and maintenance instructions for REGO 4 Ports 400A System Combiner Box. Please read the Quick Guide carefully before using.
- Illustrations in the Quick Guide are for reference only.
- For more detailed instructions, please refer to the user manual at renogy.com.
- For additional support, please contact our customer service through renogy.com/contact-us/.



Product Overview



No.	Part	No.	Part
1	Positive Insert Terminal (Including Terminal Bolt)	6	NH00 Fuse Switch Disconnecter (DC-DC Charger)
2	Negative Insert Terminal (Including Terminal Bolt)	7	Anderson 120 Connector (DC-DC Charger)
3	NH2 Fuse Switch Disconnecter (Inverter)	8	NH00 Fuse Switch Disconnecter (Charge Controller)
4	Anderson 350 Connector (Inverter)	9	Anderson 120 Connector (Charge Controller)
5	Mounting Holes	10	Anderson 350 Connector (Battery)

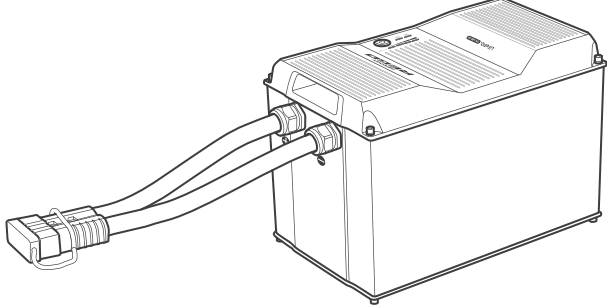
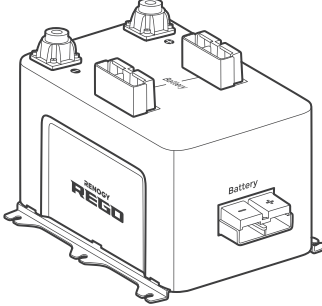
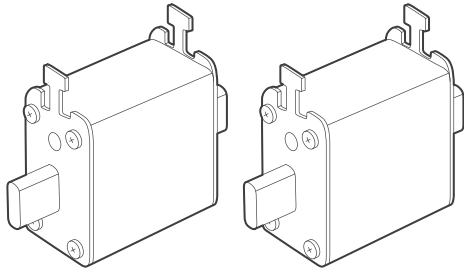
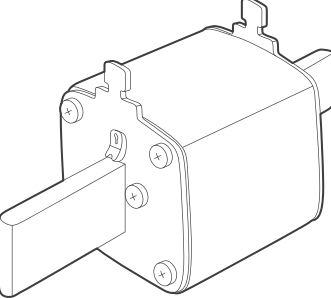

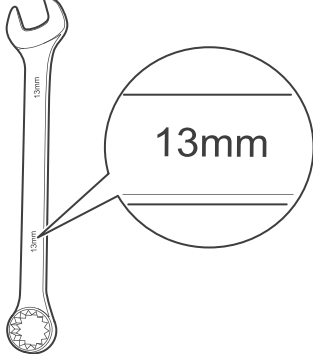


- Please inspect the system combiner box for any visible damage including cracks, dents, deformation, and other visible abnormalities before installation.
- DO NOT puncture, drop, crush, burn, penetrate, shake, or strike the system combiner box.
- DO NOT open, dismantle, or modify the system combiner box.
- Please wear proper protective equipment and use insulated tools during installation.
- Please install the system combiner box in a clean, cool, and dry place. Keep water, oil, and dirt away from the system combiner box.



Installation

Required Components/Tools

Renogy REGO Lithium Battery	Renogy REGO 3 Ports 400A Battery Combiner Box
	
NH00 Fuses	NH2 Fuse
	
Phillips Screwdriver (#2)	Wrench (13mm)
	

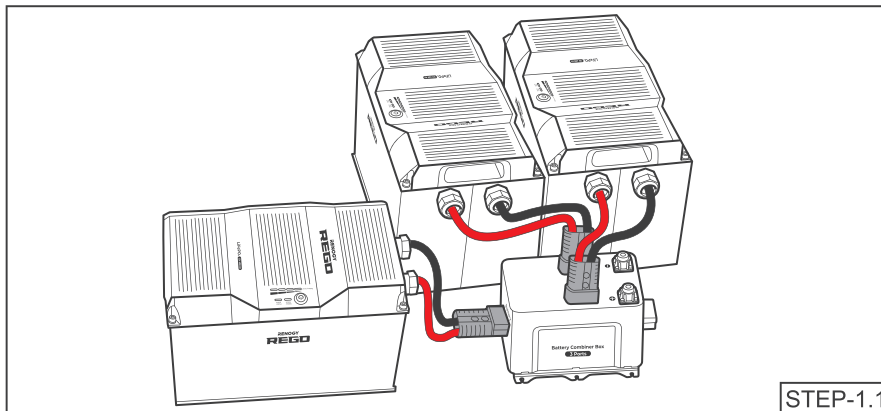


Installation

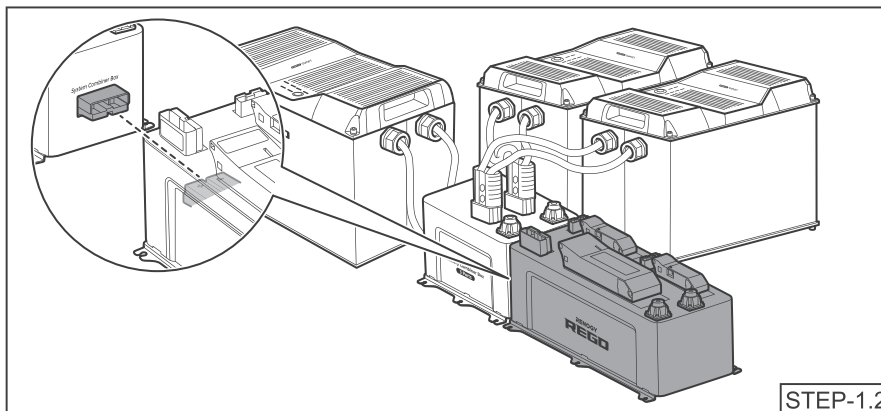


- Please read the user manual of REGO Lithium Iron Phosphate Battery and REGO 3 Ports 400A Battery Combiner Box at renogy.com before installation.
- Please ensure that the Anderson Connectors are fully seated and/or the ring terminals are secured to the proper specification.
- DO NOT short the insert terminals and the contacts of the Anderson Connectors. Short circuits can damage connected Batteries and devices.
- Please check the polarity before connecting the cables. Reverse polarity can damage connected Batteries and devices.
- Please size the cables appropriately to handle the expected current. Refer to the user manuals of REGO Lithium Iron Phosphate Battery and connected devices for more details.
- Please ensure that the Battery is off before installation.

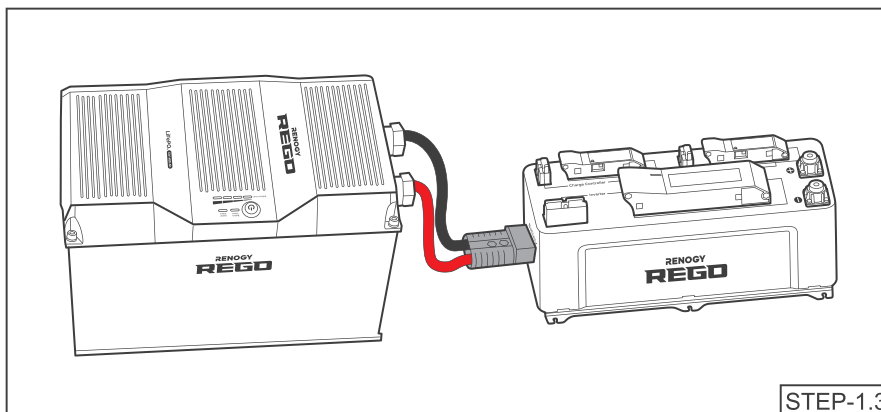
Connecting Batteries



Plug the Batteries (sold separately) to the corresponding Anderson connectors on the side and top of the Battery Combiner Box (sold separately) for parallel connection. Refer to the user manual of REGO 3 Ports 400A Battery Combiner Box for more instructions.



Connect the Battery Combiner Box to the corresponding Anderson Connector on the side of the system combiner box.



If only one battery is used, connect the battery directly to the Anderson Connector on the side of the system combiner box.

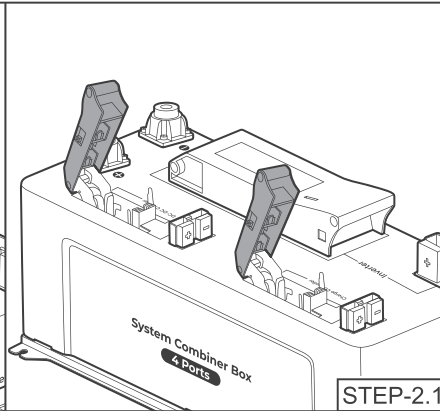
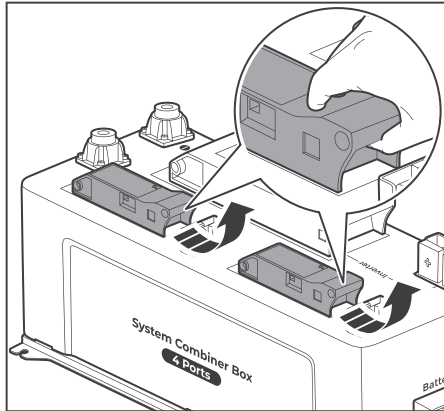


Installation

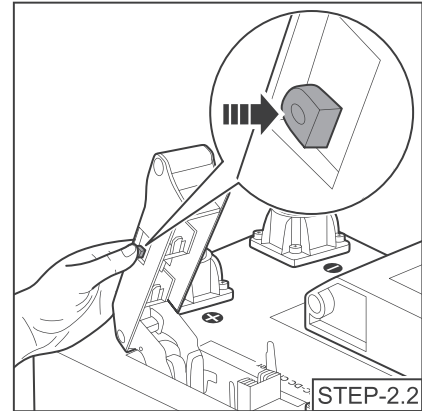
Installing Fuses

Please install the Fuses (sold separately) into the Fuse Switch Disconnectors on the top of the system combiner box to protect connected inverter, charge controller, DC-DC charger, and circuit wires. Refer to the user manual of the system combiner box for instructions of sizing, checking, and replacing the Fuses.

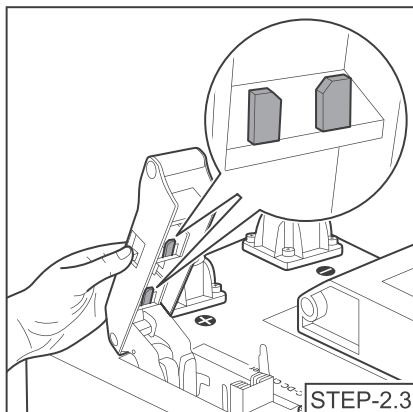
Installing NH00 Fuses



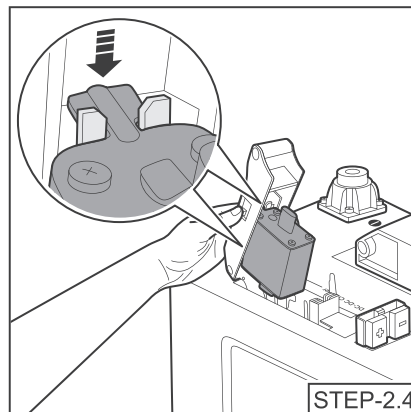
Lift the operating handles to open the covers of the NH00 Fuse Switch Disconnectors.



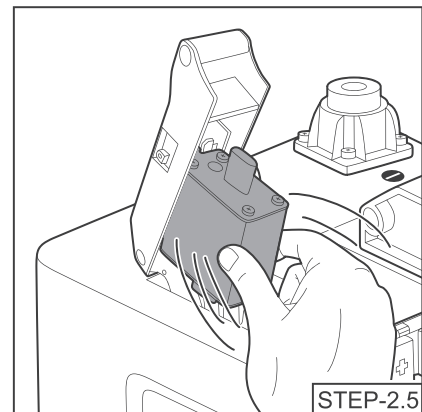
Press and hold the release buttons on the sides of the covers.



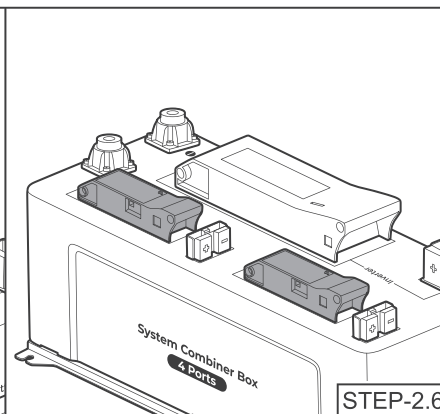
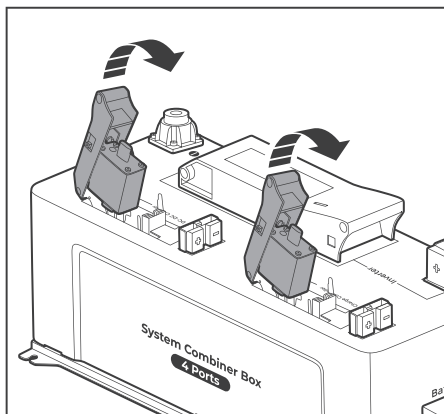
Locate the slots on the inside of the covers.



Slide the gripping lugs of the NH00 Fuses into the slots.



Release the release buttons. Shake the NH00 Fuses to ensure that they are installed tightly.

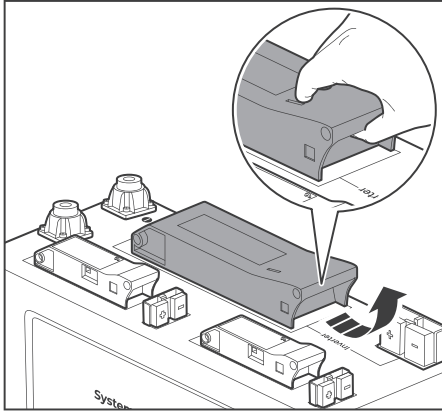


Close the covers of the NH00 Fuse Switch Disconnectors. Press the covers firmly to ensure that the NH00 Fuses are engaged.

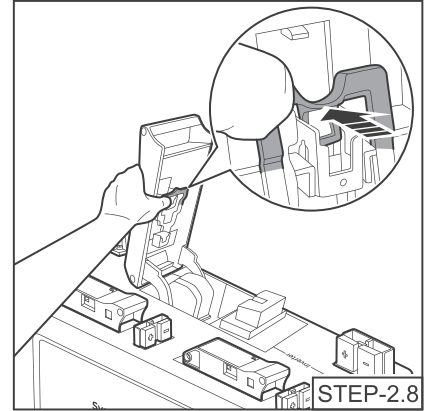
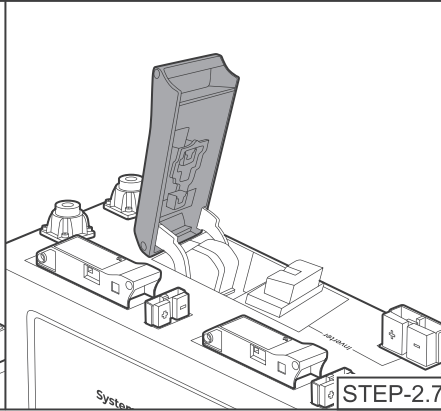


Installation

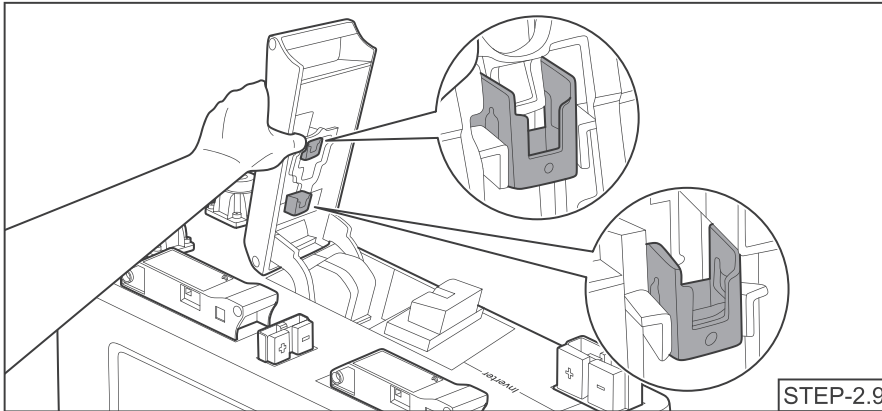
Installing NH2 Fuse



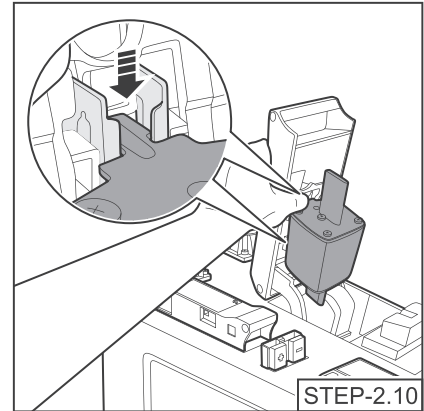
Lift the operating handle to open the cover of the NH2 Fuse Switch Disconnect.



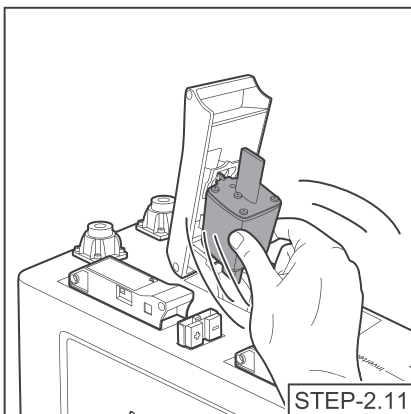
Press and hold the release tab on the inside of the cover.



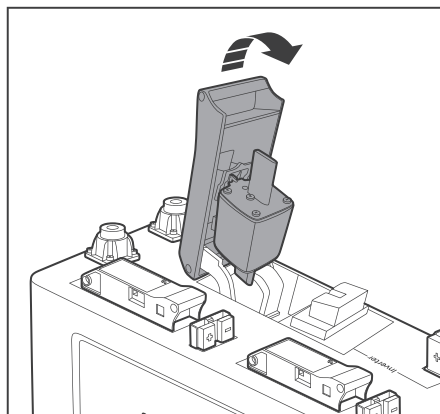
Locate the slots on the inside of the cover.



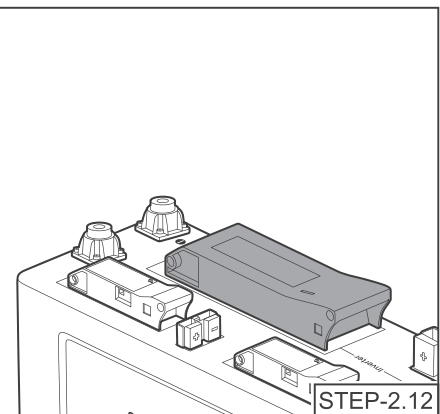
Slide the gripping lugs of the NH2 Fuses into the slots.



Release the release tab. Shake the NH2 Fuse to ensure that it is installed tightly.



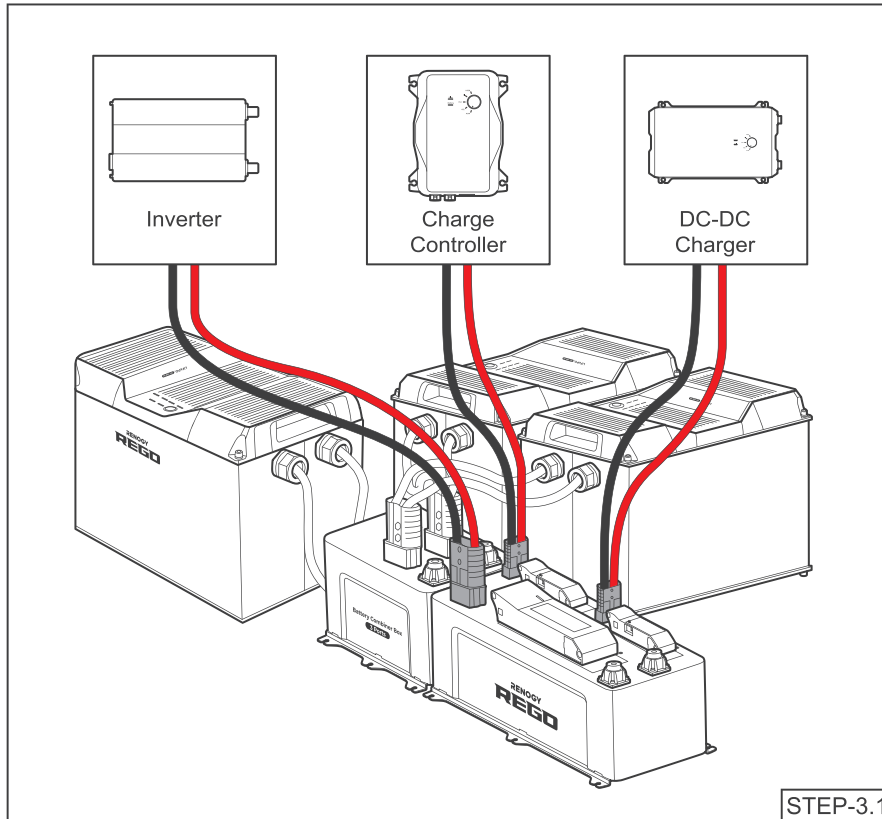
Close the cover of the NH2 Fuse Switch Disconnect. Press the cover firmly to ensure that the NH2 Fuse is engaged.





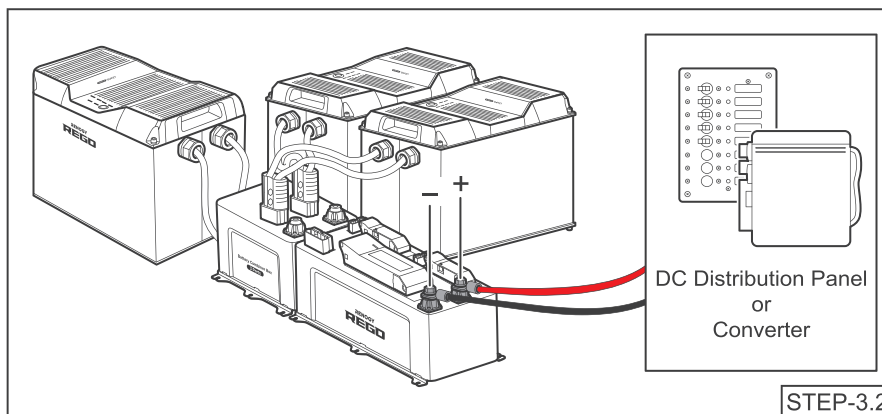
Installation

Connecting Devices



STEP-3.1

Connect the inverter, charge controller, and DC-DC charger to the corresponding Anderson Connectors on the top of the system combiner box with Anderson connector cables (sold separately).



STEP-3.2

Connect other devices to the insert terminals on the top of the system combiner box with ring terminal cables (sold separately). Screw the Terminal Bolts into the Insert Terminals with the Phillips Screwdriver to secure the ring terminals in place. Tighten the Terminal Bolts with the Wrench.



- The ring terminals and the top surface of the Insert Terminals **MUST** be in contact. Please use the appropriate number of washers to ensure that the terminal bolts have as much thread engagement as possible with the insert terminals without bottoming up.
- The washers **MUST** be placed on the top of the ring terminals. **DO NOT** place the washers between the ring terminals and the insert terminals.
- Please ensure a clearance of at least 8 inches above the Anderson Connectors and Fuse Switch Disconnectors to prevent the cables from kinking and ensure that the covers of the Fuse Switch Disconnectors can be fully opened.
- If the devices are connected to the Insert Terminals of the system combiner box, please install appropriately sized fuses or circuit breakers in the branch circuits to protect connected devices and circuit wires.
- The continuous current flowing through the system combiner box shall not exceed 400A.

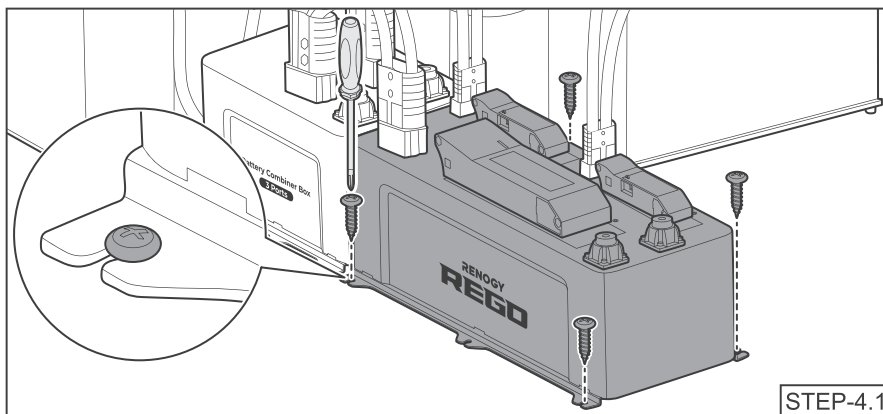


Installation

Mounting



- Please ensure adequate and secure mounting of the system combiner box to prevent the cable connections from loosening due to vibration.
- It is recommended to pre-drill pilot holes on the mounting surface with a drill and a drill bit before mounting the system combiner box.



Secure the system combiner box on a flat mounting surface with the included Mounting Screws. Tighten the Mounting Screws with the Phillips Screwdriver.



Maintenance

Inspection

Please perform regular inspections following the steps below.

- Examine the external appearance of the system combiner box. The casing, Insert Terminals, and connector contacts of the system combiner box shall be clean, dry, and free of corrosion.
- Examine the inside of the Fuse Switch Disconnectors. The fuse clips of the Fuse Switch Disconnectors and the blades of the Fuses shall be clean, dry, and free of corrosion.
- Check the continuity of the Fuses. Replace any blown Fuses.
- Check the cables and connections. Replace any damaged cables and tighten any loose connections.



- In some applications, corrosion can form around the contacts internal to the Anderson Connector. The corrosion can cause loosening of spring retention force and increase of mated contact resistance, leading to premature failure of the connection. Please apply dielectric grease onto each connector contact at regular intervals. Dielectric grease can repel moisture and protect the connector contact against corrosion.

Cleaning

Please clean the system combiner box at regular intervals following the steps below.

- Open the covers of the Fuse Switch Disconnectors. Take the Fuses out of the Fuse Switch Disconnectors.
- Disconnect the devices and Batteries or Battery Combiner Box from the system combiner box.
- Clean the casing, Fuse Switch Disconnectors, Insert Terminals, and connector contacts of the system combiner box with the damp cloth or non-metallic brush. The household cleaner can be used if the system combiner box is extremely dirty.
- Dry the system combiner box with the clean cloth. Keep the area around the system combiner box clean and dry.
- Reinstall the Fuses into the Fuse Switch Disconnectors after the system combiner box is completely dry.
- Reconnect the devices and Batteries or Battery Combiner Box to the system combiner box.



Renogy Empowered

Renogy aims to empower people around the world through education and distribution of DIYfriendly renewable energy solutions.

We intend to be a driving force for sustainable living and energy independence.

In support of this effort, our range of solar products makes it possible for you to minimize your carbon footprint by reducing the need for grid power.



Live Sustainably with Renogy

Did you know? In a given month, a 1KW solar energy system will...



Save 170 pounds of coal from being burned



Save 300 pounds of CO₂ from being released into the atmosphere



Save 105 gallons of water from being consumed



Renogy Power PLUS

Renogy Power Plus allows you to stay in the loop with upcoming solar energy innovations, share your experiences with your solar energy journey, and connect with like-minded people who are changing the world in the Renogy Power Plus community.

Also, follow us on Social Media @RenogySolar.

Visit renogy.com to find relevant documentation or get more support via "[Contact Us](#)".
Renogy reserves the right to change the contents of this manual without notice.

Manufacturer: RENOGY New Energy Co.,Ltd
Address: No.66, East Ningbo Road Room 624-625
Taicang German Overseas Students Pioneer Park
JiangSu 215000 CN



eVatmaster Consulting GmbH
Battinastr.30
60325 Frankfurt am Main, Germany
contact@evatmaster.com

Manufacturer: RENOGY New Energy Co.,Ltd
Address: No.66, East Ningbo Road Room 624-625
Taicang German Overseas Students Pioneer Park
JiangSu 215000 CN



EVATOST CONSULTING LTD
Suite 11, First Floor, Moy Road Business
Centre, Taffs Well, Cardiff, Wales, CF15 7QR
contact@evatmaster.com

Your voice matters! Scan the QR code
to submit your feedback on the product.



Join the Renogy Power Plus Communityby
downloading the DC Home App.
Find your e-warranty here, and more.

