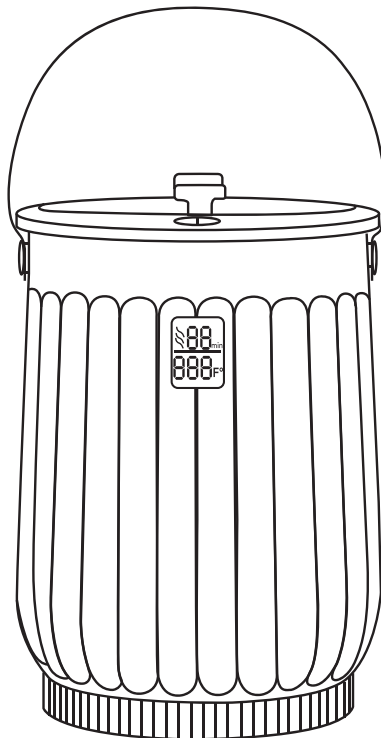


# TOWEL WARMER

DHTW20L



This user manual offers a brief walkthrough of the unit's features.  
Please keep the user manual in hand for future reference.

Still need help? Feel free to send us an email  
at [support@drprepare.com](mailto:support@drprepare.com)

**▶ User Guide**

## CONTENTS

Important Safety Instructions .....	02
Product Overview .....	05
What's in The Box .....	05
Set Up Before First Use .....	06
How to Use The Towel Warmer .....	06
Fragrant Disc Instructions .....	08
Tips for Optimal Use .....	08
Specifications .....	09
Care And Maintenance .....	09
Limited Warranty .....	09
Customer Support .....	09

## IMPORTANT SAFETY INSTRUCTIONS

All safety and operating instructions should be read, adhered to and followed before the unit is operated.

- For household use only.
- For adult use only.
- For dry fabric items only.

### CAUTION

To reduce the risk of serious injury, please note that this is not a toy. Do not allow children to operate or play near the towel and blanket warmer.

To reduce the risk of fire or electric shock, do not expose this unit to rain or moisture.



The lightning flash with arrow-head symbol within an equilateral triangle is intended to alert the user to the presence of uninsulated “dangerous voltage” within the unit’s enclosure that may be of sufficient magnitude to a risk of electric shock.



The exclamation point within an equilateral triangle is intended to alert the user to the presence of important operating and maintenance (servicing) instructions in the literature accompanying the unit.

### WARNINGS



To reduce risk of fire, electric shock, or serious injury to persons when using the appliance, follow basic precautions including reading all instructions before using the appliance.

- Always unplug the unit from the electrical outlet immediately after use.
- Do not use the appliance for anything other than its intended use.
- Do not place or store the unit where it will fall or be pulled into a tub or sink.
- Do not place into or drop in water or other liquid.
- Do not reach for a unit that has fallen into the water. Unplug it immediately.
- Care should be taken so that objects do not fall into and/or liquids are not spilled onto the unit.

- This unit should never be left unattended when plugged in.
- Close supervision is necessary when this unit is used near children or disabled persons.
- Use this unit for its intended uses as described in this manual.
- Never operate this unit if it has a damaged cord or plug, if it is not working properly, or if it has been dropped, damaged, or dropped in water.
- Keep the cord away from heated surfaces. Do not wrap the cord around the exterior of the appliance or let the cord hang over a table or counter edge.
- Do not use outdoors.
- Do not alter the safety plug or use an extension cord with this device.
- Do not operate with a voltage converter.
- Do not touch hot surfaces.
- Do not use accessory attachments not recommended by the manufacturer as this may cause injuries.

## **FCC Information**

This device complies with part 15 of the FCC Rules. Operation is subject to the following two conditions: (1) This device may not cause harmful interference, and (2) this device must accept any interference received, including interference that may cause undesired operation.

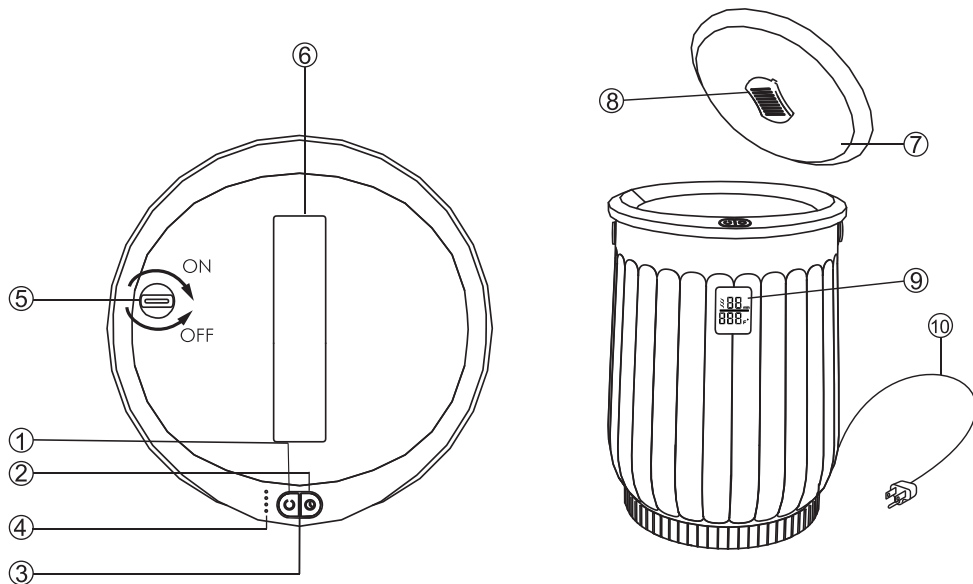
Any Changes or modifications not expressly approved by the party responsible for compliance could void the user's authority to operate the equipment.

Note: This equipment has been tested and found to comply with the limits for a Class B digital device, pursuant to part 15 of the FCC Rules. These limits are designed to provide reasonable protection against harmful interference in a residential installation. This equipment generates uses and can radiate radio frequency energy and, if not installed and used in accordance with the instructions, may cause harmful interference to radio communications. However, there is no guarantee that interference will not occur in a particular installation. If this equipment does cause harmful interference to radio or television reception, which can be determined by turning the equipment off and on, the user is encouraged to try to correct the interference by one or more of the following measures:

- Reorient or relocate the receiving antenna.
- Increase the separation between the equipment and receiver.
- Connect the equipment into an outlet on a circuit different from that to which the receiver is connected.
- Consult the dealer or an experienced radio/TV technician for help.

This equipment complies with FCC radiation exposure limits set forth for an uncontrolled environment. This equipment should be installed and operated with minimum distance 20cm between the radiator & your body.

## PRODUCT OVERVIEW



① Power On / Off

② Timer Setting

③ LED Ring

④ Time Indicator: 15 min/30 min/45 min/60 min

⑤ Child Safety Lock

⑥ Handle

⑦ Top Cover

⑧ Fragrant Disc Holder

⑨ LCD Screen

⑩ Power Cord

## WHAT'S IN THE BOX

1 X Towel Warmer

1 X User Manual

## SET UP BEFORE FIRST USE

1. Place the towel warmer on a dry, level, and hard surface.
2. Rotate to unlock the child safety lock.
3. Then open the top cover and remove all packaging material.
4. Plug it into a standard 120V outlet.

**Note:** For your child's safety, activate the child safety lock when using the device. Double-check that it is locked when heating up. Keep the towel warmer away from children or babies.

## HOW TO USE THE TOWEL WARMER

The towel and blanket warmer has the capacity to heat two large cotton bath towels or a personal throw blanket.

### 1. Power ON/OFF

Press the power button to turn it on or off.

### 2. Timer Setting

Press the timer button to select and switch between timer settings of 15, 30, 45, and 60 minutes. The default setting is 15 minutes.

### 3. Heating Status Indication

Once turned on, if the temperature is below 140°F (60°C), the heating icon will be displayed on the LCD, and the LED ring will flash in green, indicating that it is in the process of heating.

When the temperature surpasses 140°F (60°C), the heating icon will disappear from the LCD display, and the LED ring will remain solid red.

**Note:** When the LED ring is illuminated, the interior surface of the towel warmer is unsafe to touch.

### 4. Heating Control

Upon pressing the power on button, the towel warmer initiates the heating process. The default timer is set to 15 minutes.

Once the temperature reaches 248°F (120°C), the heating process will automatically stop, and the device will maintain a temperature range of 212~248°F (100~120°C).

If the timer is set for a duration longer than 15 minutes, after the initial 15 minutes, the towel warmer will enter a heat preservation state. During this phase, the temperature will be maintained at 140~176°F (60~80°C) until the timer expires.

Once the timer reaches its expiration, the heating power will be automatically cut off.

## **5. Heating Time Indication**

To set the timer, simply press the timer button. The maximum duration is 60 minutes. Once the power button is activated, the heating process begins, indicated by the timer indicator light being illuminated.

Once the timer reaches 0, the heating will cease, and the LCD display will show 0. When the timer reaches 0 and the temperature drops below 140°F (60°C), the LCD display will go off and the LED ring will automatically switch to a green light.

## **6. Temperature Display**

Upon pressing the power button, the temperature will be displayed in Fahrenheit. Once the time LED is turned off, it will be deactivated when the temperature inside the towel warmer falls below 140°F (60°C). This feature is designed to conserve power.

## **7. LED Indication**

### **7.1 Timer indicator**

Upon power-on, the timing indicator light remains illuminated for 15 minutes as the default setting. Press the timer button to adjust the time control according to your preference.

### **7.2 Towel warmer status indicator**

Solid Green Light: In standby mode. Flashing Green Light: The towel warmer is in the heating mode. Solid Red Light: The temperature inside the towel warmer has exceeded 140°F (60°C).

## **Important Notice:**

Please be aware that after the heating cycle is finished, the interior surface of the towel warmer will continue to be hot and unsafe to touch until the hot surface indicator is turned off.

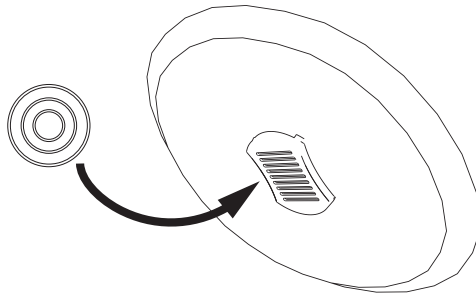


## FRAGRANT DISC INSTRUCTIONS

This fragrant disc is an additional design feature for users who enjoy using aromatherapy tablets or essential oils while warming towels.

**Note:** Aromatherapy tablets, fragrant discs, or essential oils are not included.

1. Remove the fragrant disc from its sealed plastic bag.
2. Insert it into the fragrance disc holder located underneath the top cover.



## TIPS FOR OPTIMAL USE

1. Use cotton or cotton blend towels or fabrics.
2. For fast and even heating, loosely pile one towel into the towel warmer. Tightly rolled or folded towels will take longer to heat thoroughly. Note that heating two towels will take longer than heating one.
3. Only use dry fabrics. Do NOT use damp or wet articles.
4. Avoid using delicate fabrics that cannot withstand high heat. Fabrics indicating the use of a cool iron may not be suitable for the towel warmer and can result in damage to both the fabric and the product.
5. Once the heating cycle begins, keep the top cover closed to prevent heat from escaping. Opening the cover during the cycle may result in slower heating times.
6. Please note that condensation on the cover and interior of the product is normal.
7. Over time, the fragrant disc may warp when used with the towel warmer.
8. The fragrant disc can last up to two years at room temperature. However, when exposed to heat from the towel warmer, the scent's longevity will decrease. Replace the disc when the scent is no longer detectable.

## SPECIFICATIONS

Rated Voltage	120V AC, 60Hz
Max. Wattage	400W
Capacity	20L
Timer Setting	15 / 30 / 45 / 60 mins
Protection	Overheating protection
Product Dimensions	13 x 13 x 18.6 in/330 x 330 x 473 mm
Product Weight	7 lbs/3.2 kg

## CARE AND MAINTENANCE

- Before cleaning, ensure to unplug the power cord from the electrical outlet.
- Only wipe the unit with a dry cloth when it has cooled down and is safe to touch.

## LIMITED WARRANTY

- This appliance is covered by a limited 15-month manufacturer warranty.
- From the date of the original purchase, if the appliance fails due to a defect in materials or workmanship, during the limited 15-month warranty, the manufacturer, Dr.Prepare, will repair or replace any parts of this appliance as long as the appliance was proven to be used under normal operating conditions intended by the manufacturer.
- We only provide after-sales service for products sold by Dr.Prepare or retailers and distributors authorized by Dr.Prepare. If you have purchased your unit through other channels, please contact your seller for more information about the return and warranty.

## CUSTOMER SUPPORT

- Need help? Feel free to send us an email at [support@drprepare.com](mailto:support@drprepare.com)  
Want to see more products? Visit our official store: [drprepare.com](http://drprepare.com)

